



CT-ALPHA

This system meets the most stringent demands in CT X-ray. With the CT-ALPHA, we offer the highest possible flexibility for individual customer requirements.

This space-saving system can be equipped with different microfocus X-ray tubes, from 160kV for sub- μ -meter resolution through 225 kV, 350 Watts to the highest power of 300 kV, 350 Watts. If more power is needed a second minifocus tube with up to 600 kV, 1500W can be added.

The CT-ALPHA can be equipped with a huge range of different X-ray-detectors to match the specific needs of the application. To have the most flexible system it is also possible to install up to 3 different detectors.

The variable focus-detector distance permits maximum contrast. As an option, the CT-ALPHA offers the Helix-Scan technique for objects with a large height-diameter-ratio, as well as for the best avoidance of volume CT artefacts.

The large flexibility in outer and inner dimensions, number and types of axis, different or multi-tubes and detectors provides the best fitting system for the customer. This grants the best performance to an ideal cost-benefit.

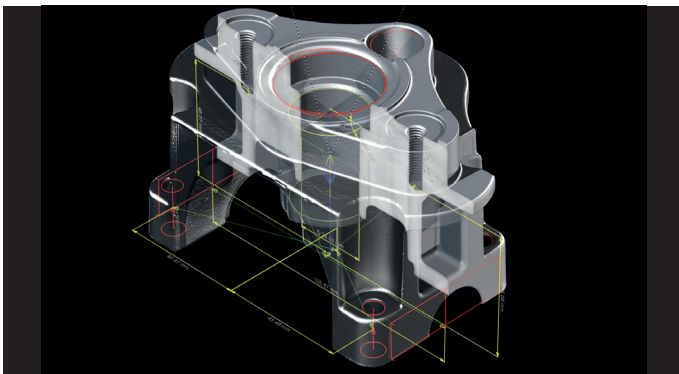
The CT-ALPHA system is ideal for non-destructive testing, materials investigations and, in particular, dimensional measurements of internal structures, undercuts and free form surfaces.

Features

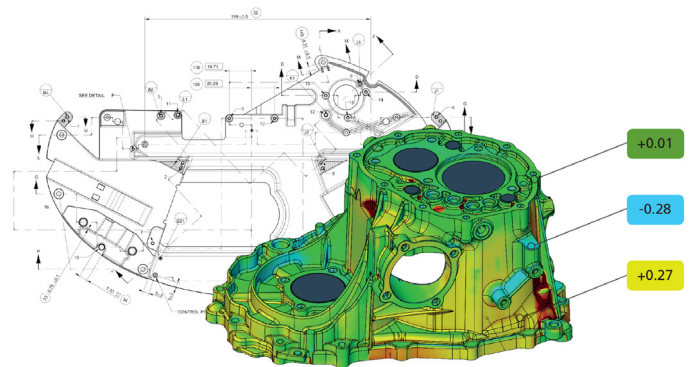
- ▶ Industrial X-ray Computed Tomography (CT)
- ▶ 3D volume CT
- ▶ Non-destructive testing (NDT) – 2D and 3D
- ▶ Quality control independent of material
- ▶ Defect recognition (voids, cracks, ...)
- ▶ Contactless metrology
- ▶ CT reconstruction in real-time
- ▶ Ring artefact suppression
- ▶ Easy operation
- ▶ Radiation safety better than 1 $\mu\text{Sv/h}$
- ▶ Compability with all softwares at the market:

Specifications

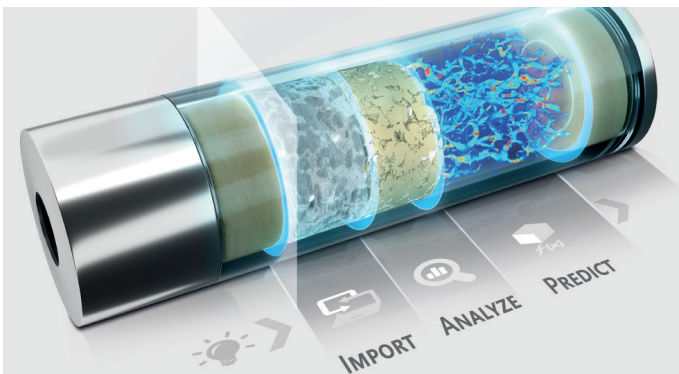
X-ray tubes	up to 300 kV microfocus
	up to 600 kV minifocus
min. focal spot	0.5 μm
Detector	up to 16 MP
Pixel sizes	0.27 μm to 200 μm
max. scanspeed	< 10 seconds per part
Axes	up to 8
Spatial Resolution	0.4 μm
System weight	< 2.000 kg possible*
	* 1-door 160kV model



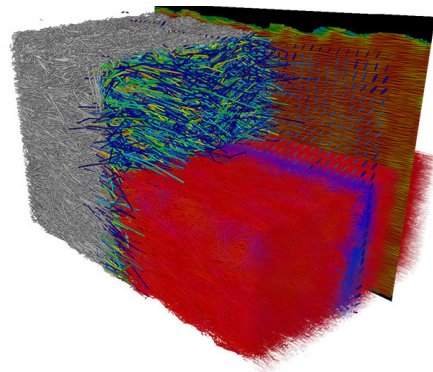
VG Studio MAX by Volume Graphics



GOM Inspect



GeoDict by Math2Market



Amira-Avizo (Courtesy of EMS Grivory)